

DYNAVAC[®]

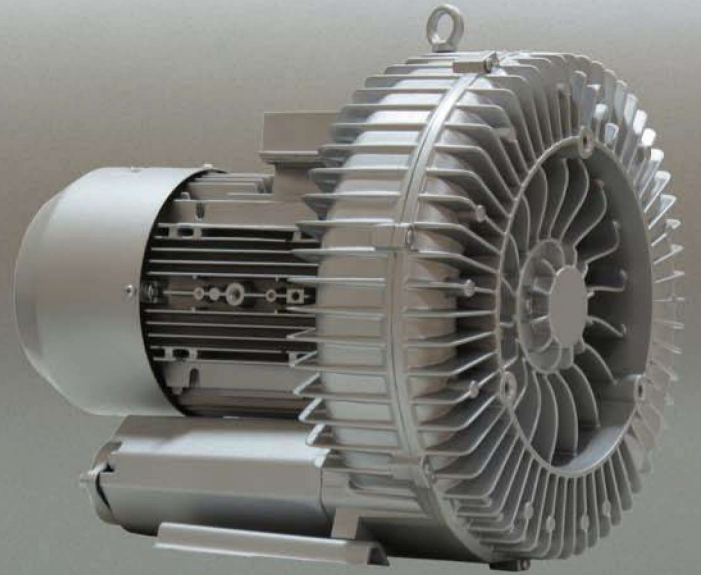
High Performance Side Channel Blowers



Ring Blowers

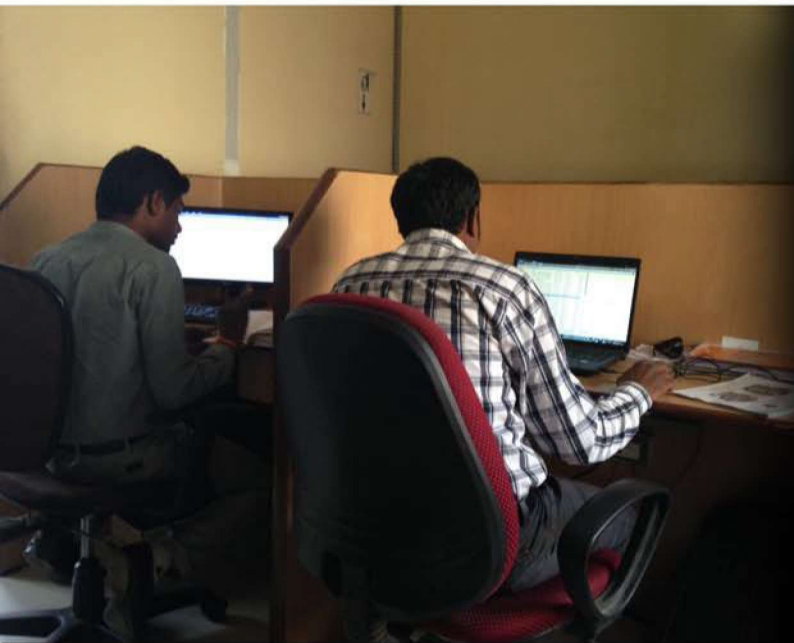
Reliability

We take pride in the quality of our workmanship and product reliability.



Quality

Quality is everyone's responsibility and we never stop getting better at it. At Dynavac, Quality is our daily mantra.

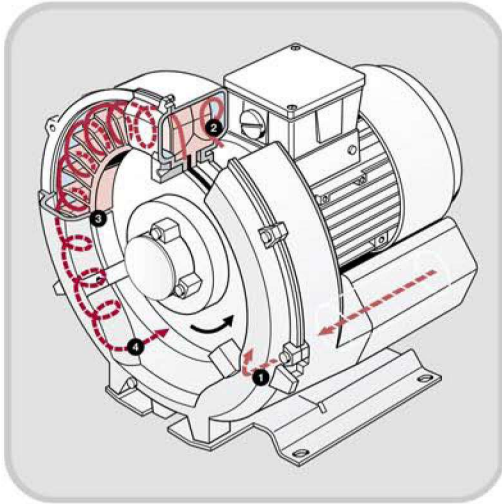


Infrastructure



Working Principle

The impeller in the blowers are mounted directly on the motor shaft for contact free compression. Maximum operational reliability, even at high differential pressures, is ensured by the arrangement of the bearings outside the compression chamber.



1. Air enters the side channel
2. Impeller rotates
3. Imparts velocity to the inlet air in the direction of rotation. Centrifugal force is created resulting in pressure increase
4. The high pressure air is discharged through the outlet of the blower

Features

Robust die cast aluminum construction promoting increased efficiency

Maintenance free blower

Low noise levels due to internal silencers

Low power consumption

No vibration

Easy installation

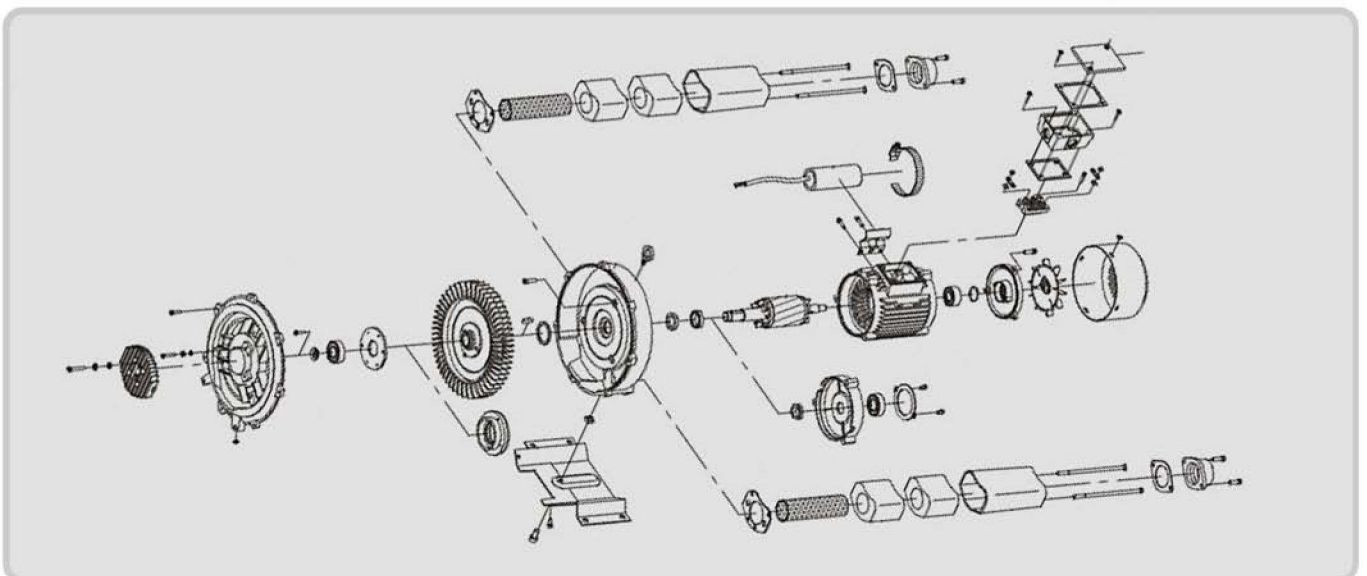
100% oil free air

Pulsation free air

Complete dynamic stability allowing vibration free operation

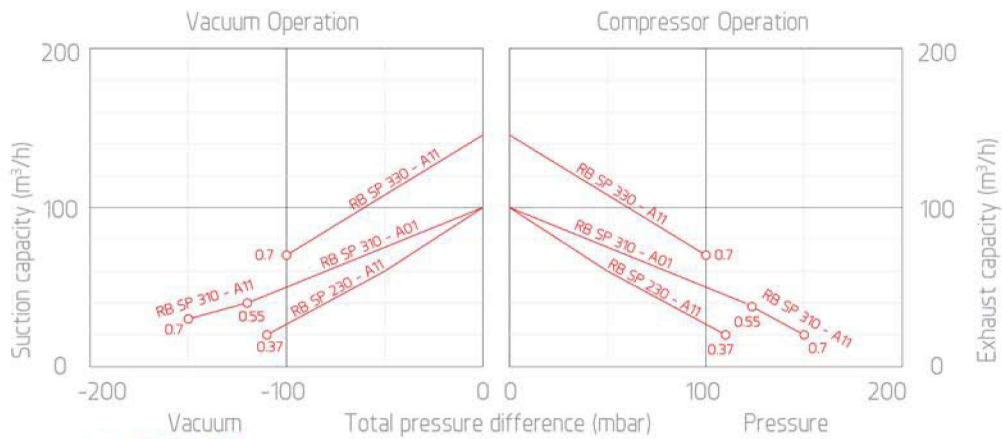
Compact space saving design

Ring Blower Exploded View



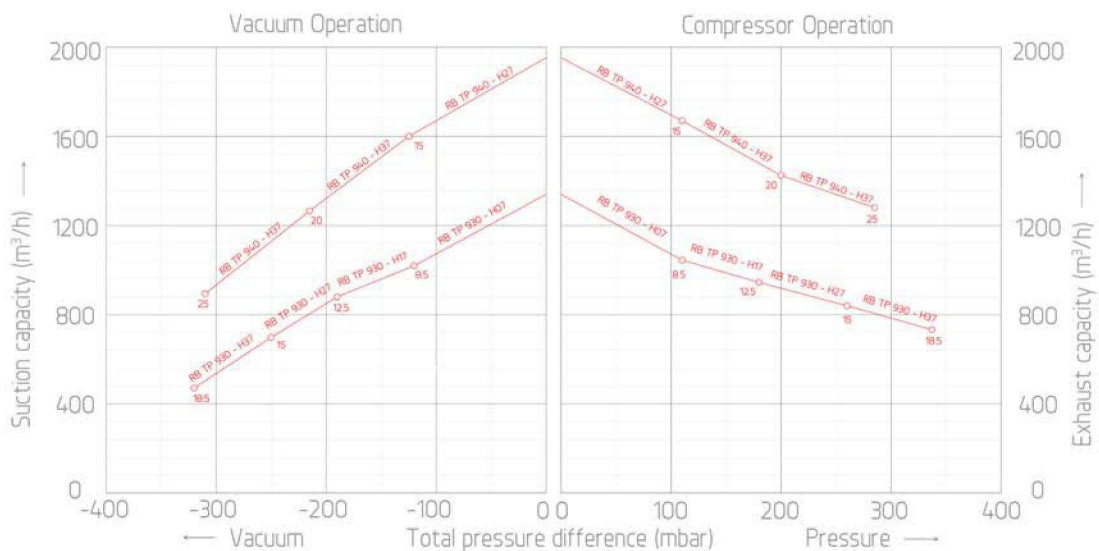
Single Phase, 50 Hz Ring Blower

Prime Series	Power (Kw)	Maximum Current (amps)	Airflow (m ³ /Hr)	Vacuum (mbar)	Pressure (mbar)	Noise level (db)	Weight (kg)
RB SP 230- A11	0.37	2.7	100	-110	110	54	11
RB SP 310- A01	0.55	3.7	100	-120	120	55	13
RB SP 310- A11	0.7	4.8	100	-150	150	55	14
RB SP 330- A11	0.7	4.8	145	-100	100	56	14



Three Phase, 50 Hz Ring Blower

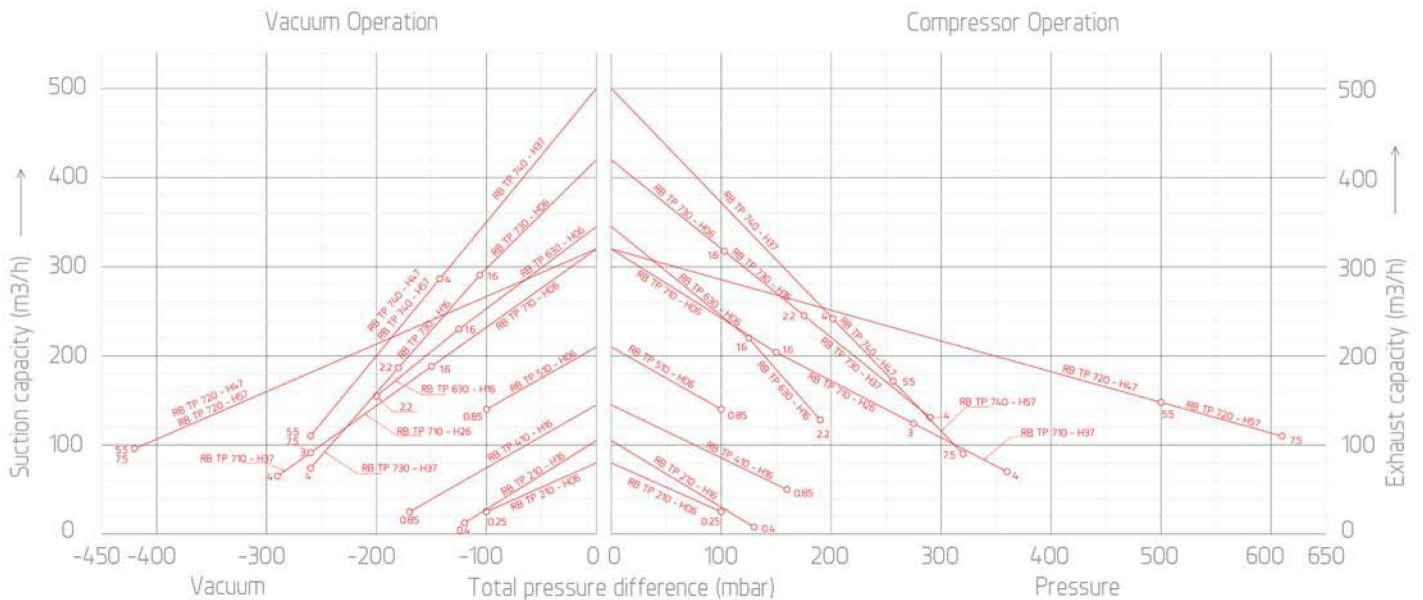
	Power (Kw)	Maximum Current (amps)	Airflow (m ³ /Hr)	Vacuum (mbar)	Pressure (mbar)	Noise level (db)	Weight (kg)
RB TP 930 - H07	8.5	18.2 Δ/ 10.5 Y	1370	-120	110	75	98
RB TP 930 - H17	12.5	28.0 Δ/ 16.2 Y	1370	-190	180	75	121
RB TP 930 - H27	15	32.0 Δ/ 17.3 Y	1370	-250	260	75	128
RB TP 940 - H27	15	35.0 Δ/ 20.0 Y	1940	-130	110	75	187
RB TP 930 - H37	18.5	37.0 Δ/ 21.0 Y	1370	-320	340	75	131
RB TP 940 - H37	20	40.0 Δ/ 23.0 Y	1940	-220	200	75	212
RB TP 940 - H47	25	52.0 Δ/ 30.0 Y	1940	-310	280	75	219



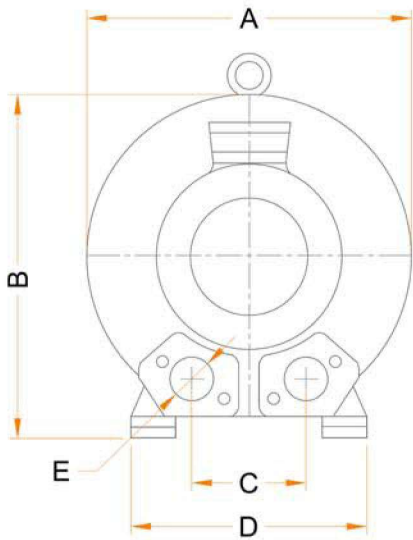
performance

Three Phase, 50 Hz Ring Blower

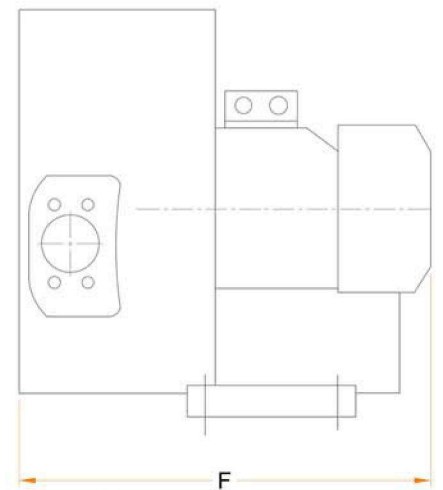
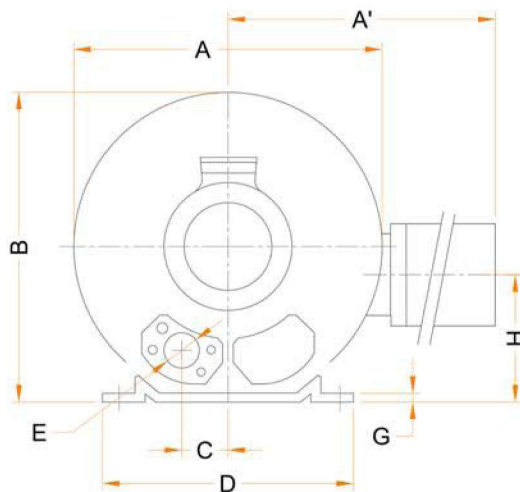
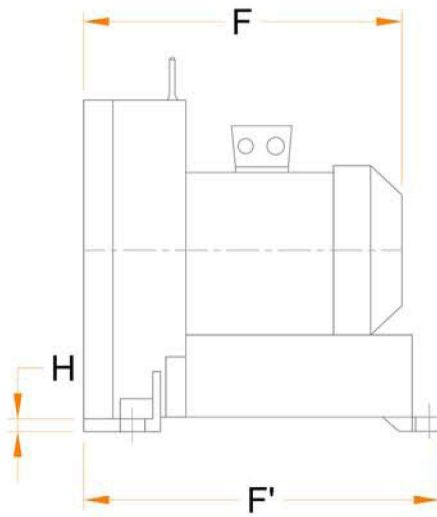
	Power (Kw)	Maximum Current (amps)	Airflow (m ³ /Hr)	Vacuum (mbar)	Pressure (mbar)	Noise level (db)	Weight (Kg)
RB TP 210 - H06	0.25	2.1 Δ/ 1.2 Y	80	-100	100	53	9
RB TP 230 - H16	0.4	2.6 Δ/ 1.5 Y	105	-120	130	54	11
RB TP 410 - H16	0.85	4.2 Δ/ 2.4 Y	145	-160	160	63	16
RB TP 510 - H06	0.85	4.2 Δ/ 2.4 Y	210	-100	100	64	20
RB TP 630 - H06	1.6	8.5 Δ/ 4.9 Y	345	-125	125	70	26
RB TP 710 - H06	1.6	8.5 Δ/ 4.9 Y	318	-160	150	69	27
RB TP 730 - H06	1.6	8.5 Δ/ 4.9 Y	420	-100	100	70	29
RB TP 630 - H16	2.2	9.7 Δ/ 5.6 Y	345	-200	195	70	29
RB TP 730 - H16	2.2	9.7 Δ/ 5.6 Y	420	-180	170	70	32
RB TP 710 - H26	3	12.5 Δ/ 7.2 Y	318	-260	270	69	36
RB TP 730 - H26	3.3	12.5 Δ/ 7.2 Y	420	-220	200	70	37
RB TP 710 - H37	4	9.0 Δ/ 5.2 Y	318	-290	360	69	40
RB TP 730 - H37	4	9.0 Δ/ 5.2 Y	420	-260	290	70	43
RB TP 740 - H37	4	9.0 Δ/ 5.2 Y	500	-150	140	74	54
RB TP 720 - H47	5.5	13.3 Δ/ 7.7 Y	320	-420	500	73	66
RB TP 740 - H47	5.5	13.3 Δ/ 7.7 Y	500	-240	260	74	69
RB TP 720 - H57	7.5	16.7 Δ/ 9.6 Y	320	-420	610	73	73
RB TP 740 - H57	7.5	16.7 Δ/ 9.6 Y	500	-240	320	74	75



dimensions



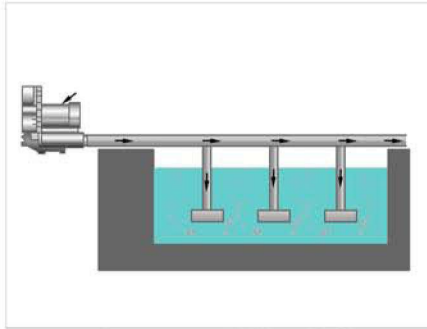
Model	Power (Kw)	A	B	C	D	E	F	F'	H
RB SP 230 - A11	0.37	246	247	90	230	32	262		3
RB SP 310 - A01	0.55	268	272	93	230	32	255		3
RB SP 310 - A11	0.7	268	272	93	230	32	255		3
RB SP 330 - A11	0.7	268	272	93	230	32	270		3
RB TP 210 - H06	0.25	246	247	90	230	32	229		3
RB TP 230 - H16	0.4	246	247	90	230	32	262		3
RB TP 410 - H16	0.85	286	302	115	225	32	318		3
RB TP 510 - H06	0.85	334	337	120	295	55	339		4
RB TP 630 - H06	1.6	360	366	122	325	56	384		4.5
RB TP 630 - H16	2.2	360	366	122	325	56	384		4.5
RB TP 710 - H06	1.6	382	384	125	325	55	391		4.5
RB TP 730 - H06	1.6	382	384	125	325	55	401		4.5
RB TP 730 - H16	2.2	382	384	125	325	55	401		4.5
RB TP 710 - H26	3	382	384	125	325	55	445		4.5
RB TP 730 - H26	3.3	382	384	125	325	55	445		4.5
RB TP 710 - H37	4	382	384	125	325	55	445		4.5
RB TP 730 - H37	4	382	384	125	325	55	445		4.5
RB TP 740 - H37	4	420	410	125	325	55	542		65
RB TP 740 - H47	5.5	420	468	308	325	55	578		65
RB TP 740 - H57	7.5	420	468	308	325	55	578		65
RB TP 930 - H07	8.5	550	569	207	415	100	570	682	21
RB TP 930 - H17	12.5	550	569	207	415	100	649	682	21
RB TP 930 - H27	15	550	569	207	415	100	649	682	21
RB TP 930 - H37	18.5	550	569	207	415	100	649	682	21
RB TP 940 - H27	15	615	657	207	415	100	752	786	71
RB TP 940 - H37	20	615	657	207	415	100	752	786	71
RB TP 940 - H47	25	615	657	207	415	100	812	786	71



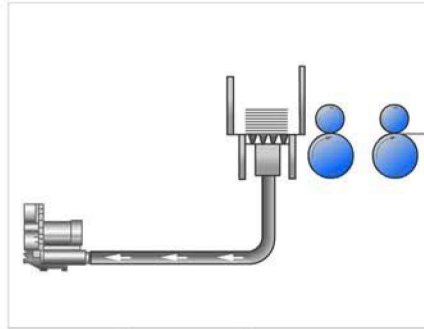
Model	Power (Kw)	A	A'	B	C	D	E	F	G	H
RB TP 720 - H47	5.5	426	426	410	154	325	55	578	5	162
RB TP 720 - H57	7.5	426	426	410	154	325	55	578	5	162

* All dimensions are in mm

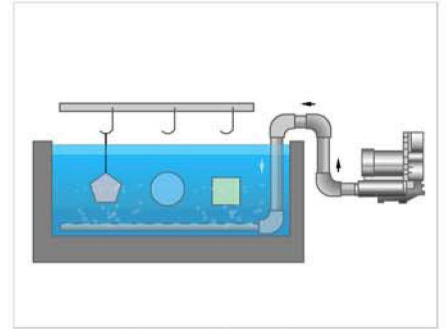
applications



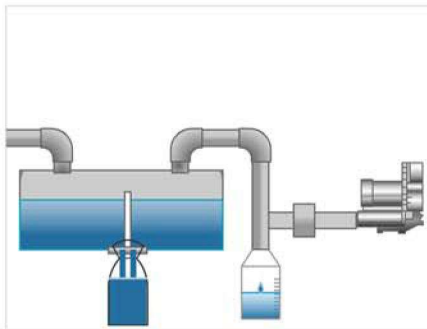
Aeration - STP & ETP



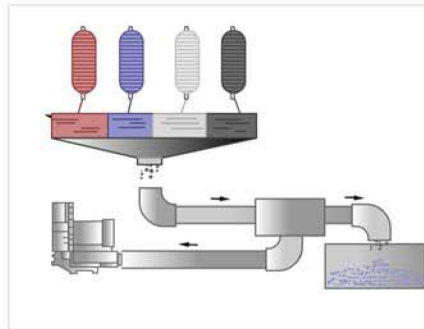
Conveying Sheets



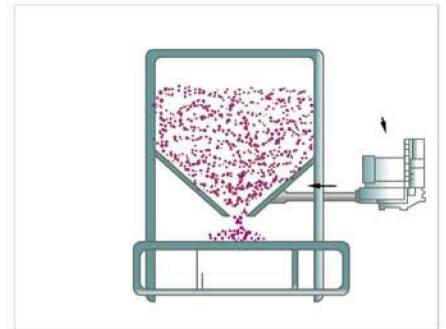
Plating Tank Agitation



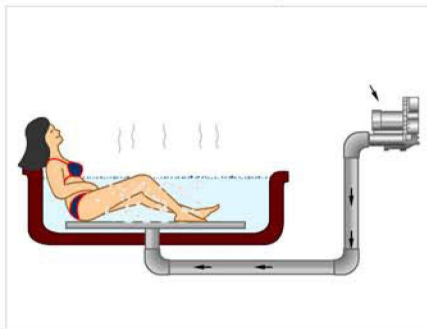
Automatic Bottling Machine



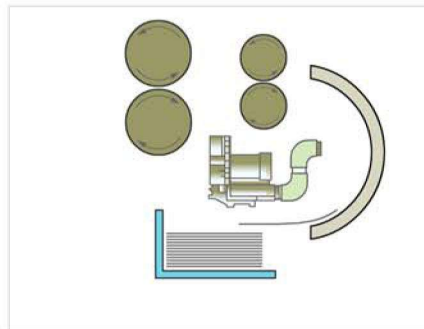
Automatic Loom



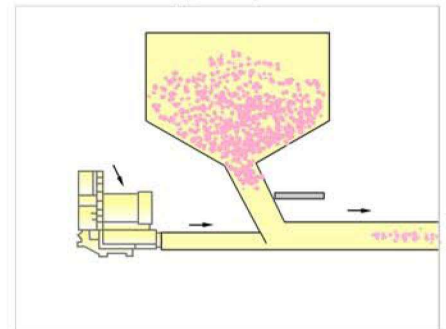
Hopper Agitation



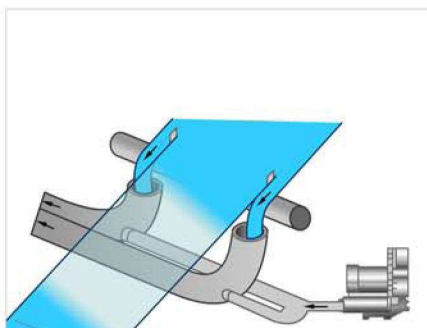
Jacuzzi



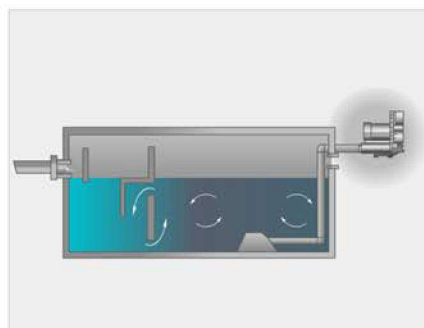
Paper Drying



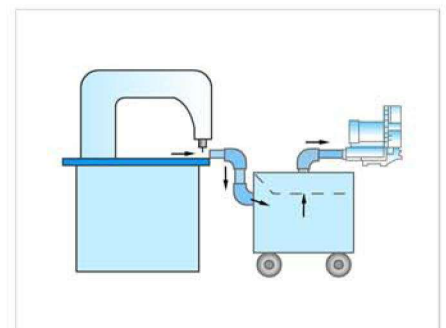
Conveying Powders



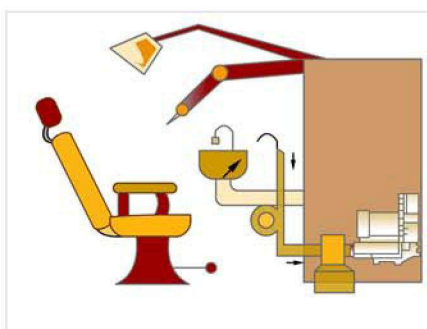
Trim Collection



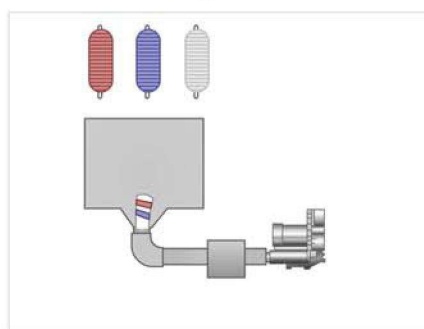
Mixing Sediment



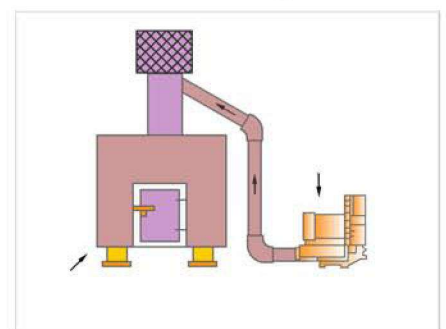
Industrial Sewing Machine



Dental Suction



Sock Loom



Furnace Air Intake

Dynavac India Private Limited
302, ALG Farms, Nambialaganpalayam,
Vedapatti (P.O), Coimbatore - 641 007
Tamilnadu, India

+91 (422) 4525555 (20 lines)
+91 9677600302, 9443721682
sales@dynavac.org



Our Products

Industrial Vacuum Cleaners



Vacuum Loaders



Wet Scrubber



Dust Collection Systems



Ring Blowers

